



## INSTALLATION GUIDE APNL632/SBOX



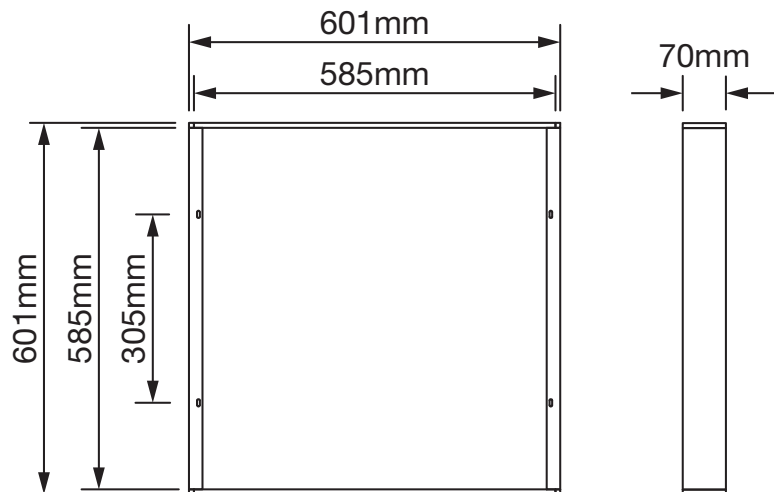
**⚠ ENSURE POWER SUPPLY IS OFF WHEN HANDLING ANY ELECTRICAL EQUIPMENT.**

- This product may need to be installed by a qualified electrical installer.
- Please read this guide in its entirety to fully understand the products before attempting any install.
- All electrical work should be completed in accordance with the latest IET regulations, and/or any other relevant rules, regulations or laws of the country in which it is being installed.
- The item must be installed in isolation from any insulating material and is adequately ventilated to prevent premature failure.
- Ensure power supply is isolated prior to installation, maintenance or performing any other form of electrical work.
- The company MUST be contacted immediately for advice or swift resolution of any matters concerning any of ALL LED's products.

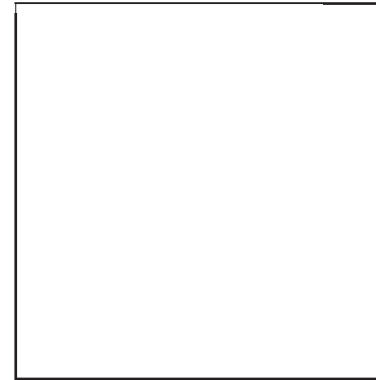
## Technical Specifications

Product Code	APNL632/SBOX
Material	Extruded Aluminium
Material Specification	AL6063 Aircraft
Paint Finish	White
Maximum Weight	5 Kg
Weight	0.52 Kg
Guarantee	3 Years

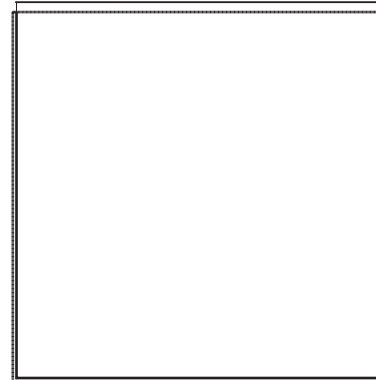
## Dimensions (mm)



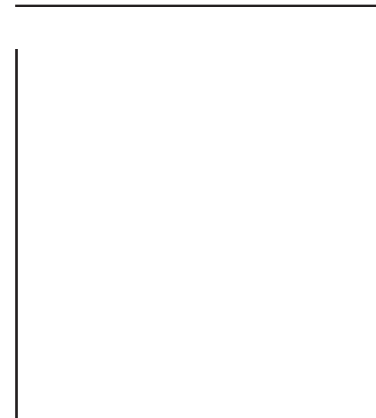
## Installation Instructions



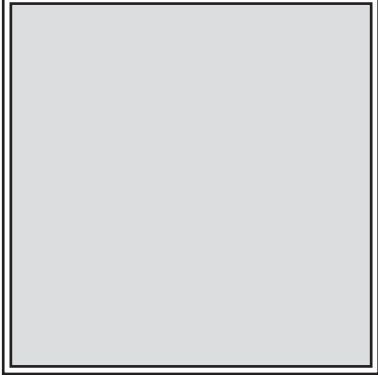
1. Build the frame leaving the last section installed half way in. Ensuring the clips are not fully secured.



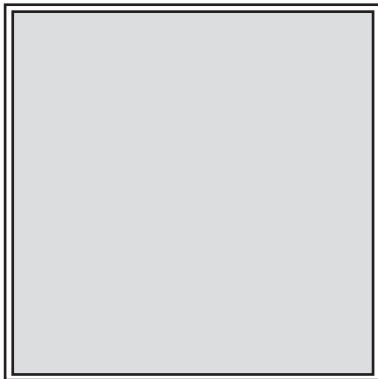
2. Measure the frame on your ceiling and mark out the holes for drilling.



3. Once the frame is secured to the ceiling. Remove the section that was installed half way in to the frame.



4. Slot the LED Panel in to the Frame , taking care it sits correctly and will not fall out.



5. Secure final frame section.

## Safety

- Do not cover any earth contacts.
- Do not insert foreign objects into the item.
- Do not clean using any solvent based abrasive or aggressive product.
- Do not pull any cables connected to the product.
- Some products including light engines/LEDs and other light sources may become hot in operating, please take care when handling the products.
- The manufacturer will not be deemed liable or held responsible for any damages caused by faults or manufacturing defects that may be present in any of its products or the misuse or incorrect installation of this device. Please refer to our troubleshooting guide for further information.
- The manufacturer will not be held liable for any death(s) or injuries caused by misuse or poor installation or any unreported faults of this product version or versions thereof.
- Do not connect to a temporary electricity supply, this may damage the electronics.



**ENSURE POWER SUPPLY IS OFF WHEN HANDLING ANY ELECTRICAL EQUIPMENT.**

## Returns & Faulty Items

- If any problems are encountered during or after installation, please call the All LED technical department to get the problem resolved as soon as possible.
- Please do not just return the item to the outlet you purchased it from, as you are only entitled to a replacement or refund after the unit has undergone testing and the unit has been confirmed as having a manufacturing defect/fault. Your statutory rights are not affected.
- The manufacturer will not be deemed liable or held responsible for any damages caused by faults or manufacturing defects that may be present in any of its products or the misuse or incorrect installation of this device. Please refer to our troubleshooting guide for further information.
- All installations must be carried out in accordance with this installation guide and user manual.
- All goods are supplied under the terms and conditions of All LED LTD, a copy of which may be obtained upon written request.



### ATTENTION

**IF ANY PROBLEMS PERSIST, PLEASE CALL THE ALL LED TECHNICAL DEPARTMENT FOR FURTHER ASSISTANCE.**

Environmental Protection  
Waste electrical products should not be disposed of with household waste. Please recycle where facilities exist. Check with your Local Authority or retailer for recycling advice



ISOLATE MAINS SUPPLY  
BEFORE HANDLING ANY  
ELECTRICAL PRODUCTS



ALL LED LTD  
42 Sedgwick Road,  
Luton, LU4 9DT

www.allledgroup.com  
sales@allledgroup.com  
Tel: +44 (0)208 841 9000

The manufacturer will not be deemed liable or held responsible for any damages caused by faults or manufacturing defects that may be present in any of its products or the misuse or incorrect installation of this device  
Your statutory rights are not affected.

